

CS2080 (A411)

This parts catalog includes MB No 1 to 17.

PARTS CATALOG

INTRODUCTION

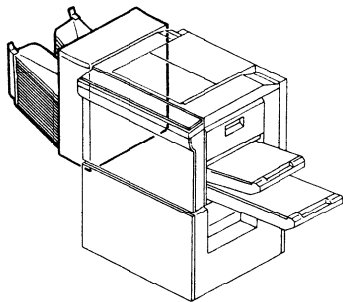
This chapter instructs you the numbers and names of these parts on this machine.

INDEX to PARTS CATALOG

LOCATION OF UNIT	2
1. Midi Sorter 1 (A411)	3
2. Mldi Sorter 2 (A411)	5
3. Sorter Board (A411)	8
4. Sorter Harness (A411)	10
Parts Index	12

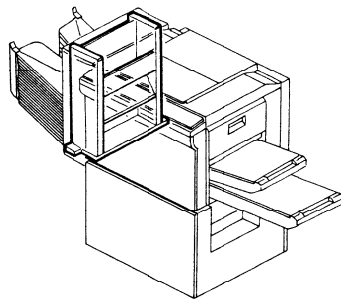
LOCATION OF UNIT

1. MIDI SORTER 1 (A411)



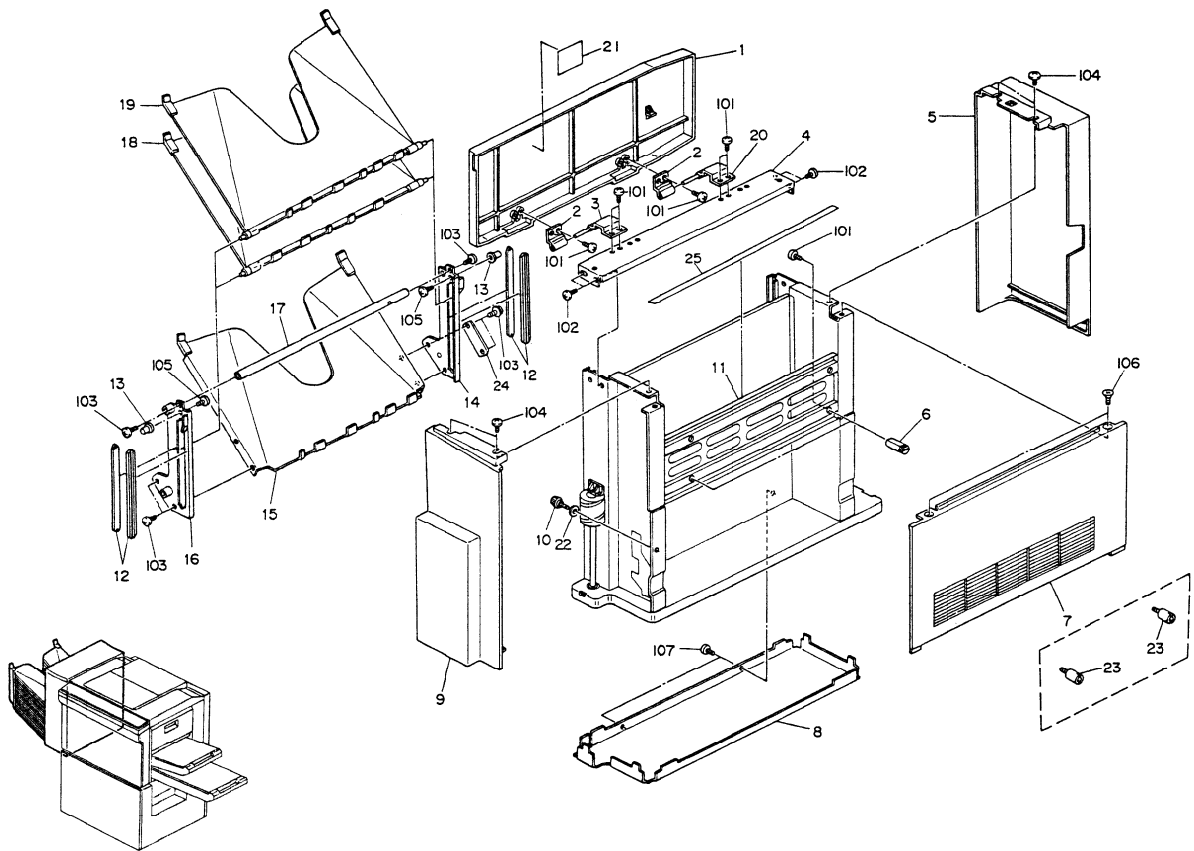
See Page 4

2. MIDI SORTER 2 (A411)



See Page 6

1. MIDI SORTER 1 (A411)

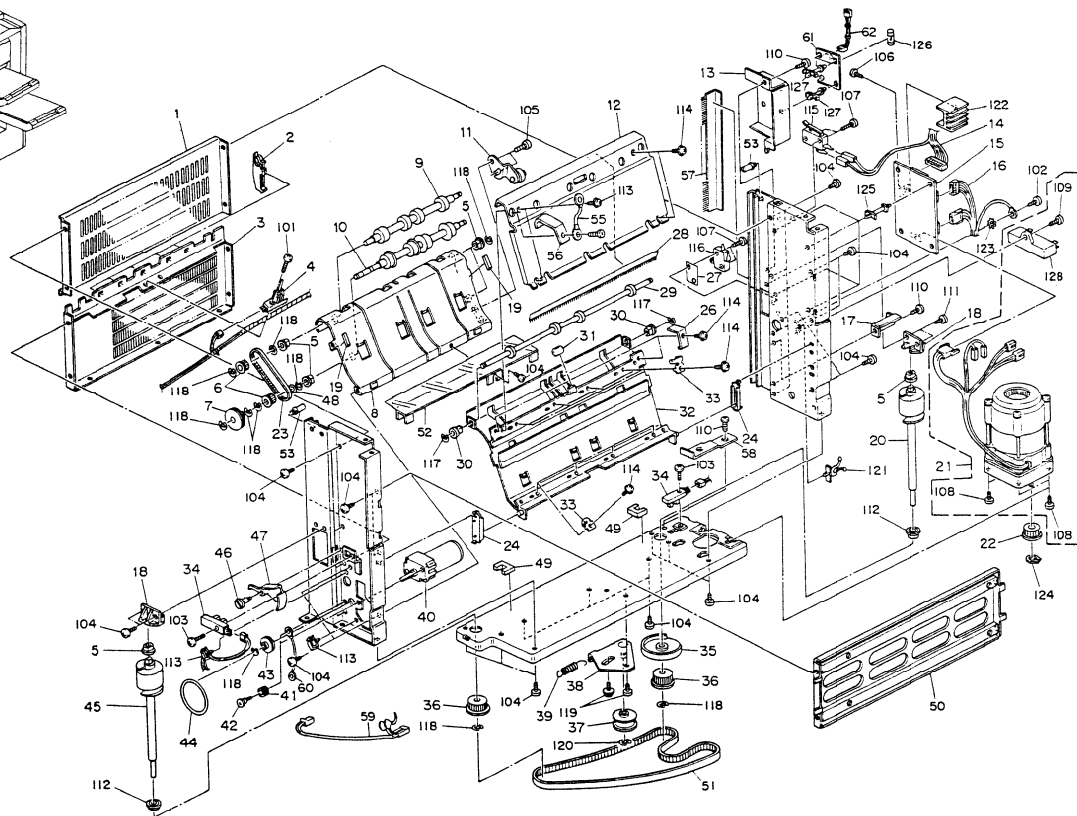
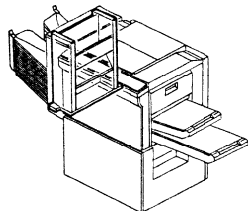


1. MIDI SORTER 1 (A411)

Index No.	Part No.	Description	Q'ty per Assembly
*	A411 8612	Installation Procedure - English	1
*	A411 8616	Installation Procedure - 5 Language	1
*	A411 7131	Decals - Misfeed Removal - 5 Language	1
1	A411 6311	Upper Cover	1
2	A411 6371	Hinge - Upper Cover	2
3	A411 6361	Front Hinge - Lower	1
4	A411 1711	Upper Stay	1
5	A411 6211	Rear Cover	1
6	AA14 8017	Stud - 28mm	2
7	A411 6411	Right Cover	1
8	A411 1810	Base Cover	1
9	A411 6111	Front Cover	1
10	A411 1456	Knob Screw	1
11	A411 1421	Side Stay	1
12	A411 3771	Bin Guide	4
13	A411 3761	Guide Pin	2
14	A411 3611	Bear Side Plate - Bin Unit	1
15	A411 3211	Bottom Bin	1
16	A411 3511	Front Side Plate - Bin Unit	1
17	A411 3751	Stay - Bin Unit	1
18	A411 3121	Sorter Bin - Even	10
19	A411 3111	Sorter Bin - Odd	10
20	A411 6351	Rear Hinge - Lower	1
21	A411 7117	Decal - Misfeed Removal	1
22	5866 1728	Collar - 6.1mm	1
23	6769 1127	Lower Mounting Stud	2
24	A411 3811	Grounding Plate - Bin Unit MB1	1
25	6769 1128	Mounting Stay Magnet MB9	1

Index No.	Part No.	Description	Q'ty per Assembly
101	0314 0060W	Philips Pan Head Screw - M4x6	
102	0434 0080W	Tapping Screw - M4x8	
103	0314 0080W	Philips Pan Head Screw - M4x8	
104	0344 0080F	Philips Truss Head Screw - M4x8	
105	0344 0080W	Philips Truss Head Screw - M4x8	
106	0324 0080F	Sunken Head Screw - M4x8	
107	0964 4008W	Tapping Screw with Flat Washer - M4x8	

2. MIDI SORTER 2 (A411)



2. MIDI SORTER 2 (A411)

Index No.	Part No.	Description	Q'ty per Assembly
1	A411 1611	Middle Stay	1
2	A411 2811	Paper Stopper	5
3	A411 1511	Lower Stay	1
4	6803 5430	Paper Exit Sensor	1
5	5053 0447	Bushing - M6	6
6	AB03 0009	Pulley - 18T	2
7	AB03 2020	Idle Pulley - 6x22x11	1
	AB03 2011	x/o,MB10	1
8	A411 2111	Lower Guide Plate - Transport	1
9	AF02 0016	Lower Exit Roller	1
10	AF02 0017	Lower Transport Roller	1
11	A411 2751	Tightener - Transport Drive	1
12	A411 2551	Guide Plate Cover	1
13	A411 4926	Cover - Rear Helical Cam	1
	A411 4921	o/o,MB12	1
14	A411 5600	Sorter Harness	1
15	A411 5507	Sorter Main Board	1
	A411 5508	x/o,MB16	1
16	A411 5610	Sorter Interface Harness	1
17	A411 4911	Harness Bracket	1
18	A411 4251	Helical Cam Bracket	2
19	AA02 1004	Magnet - Upper Guide Plate	2
20	A411 4105	Rear Helical Cam Ass'y	1
21	A411 5400	Bin Motor - AC31W/38W -115V	1
21	A411 5410	Bin Motor - Ac31W/38W-220V/240V	1
22	AB03 0010	Pulley - 18T	1
23	0806 5016	Timing Belt - 112MXL	1
24	A411 2851	Guide - Upper Guide Plate	2
26	A411 2621	Plate Spring	2
27	5895 5732	Insulating Mylar	1
28	AA12 1001	Antistatic Brush	1
29	A411 2611	Upper Exit Roller	1
30	5919 2218	Bushing - 4x7x10mm	2
31	A411 2531	Knob Cap	1
32	A411 2511	Upper Guide Plate - Transport	1



Index No.	Part No.	Description	Q'ty per Assembly
33	A411 2691	Guide Roller - Small	4
	A411 2651	o/o,MB5	4
34	5205 5250	LED Sensor Type S	2
35	A411 4511	Actuator - One Turn Sensor	1
36	AB03 0011	Pulley - 18T	2
37	A411 4436	Idle Pulley - Bin Drive	1
38	A411 4431	Tightener - Bin Drive Belt	1
39	AA06 0030	Tension Spring	1
40	A411 5422	Transport Motor - DC 24V	1
	A411 5421	x/o,MB10	1
	A411 5420	x/o,MB8	1
41	AA16 1010	Rubber Cushion - 4.5x9.5x4.2 mm	1
42	AA14 3025	Stepped Screw - M3	1
43	AB03 2021	Idle Pulley - 6x34x11	1
	AB03 2006	x/o,MB10	1
44	AA04 1004	Transport Drive Belt	1
45	A411 4100	Front Helical Cam Ass'y	1
46	AA14 3020	Stepped Screw - M4	1
47	A411 4611	Lever - Home Position Sensor	1
48	A411 2261	Spacer - 6.1x13x1.5mm	1
49	A411 3911	Cushion - Bin	1
50	A411 1421	Side Stay	2
51	0806 5017	Timing Belt - 1270P5M	1
52	A411 2561	Relay Guide (For F30/31Series)	1
52	A411 2571	Relay Guide (For F90)	1
53	5918 3125	Stud - M4 MB6	1
55	A411 2553	Grounding Wire MB1	1
56	A411 2555	Grounding Plate - Antistatic Brush MB1	1
57	A411 3821	Antistatic Brush MB1	1
58	A411 3851	Grounding Plate - Antistatic Brush MB1	1
59	A411 5630	Sorter Connector Adapter MB7	1
60	A411 5620	Grounding Wire - DC Motor MB8	1
61	A411 5520	Protection Circuit Board MB13	1
62	A411 5522	Relay Harness - Protection Board MB13	1

3. SORTER BOARD (A411)

SYMBOL NO. : PRINTED NUMBER ON THE BOARD
 INDEX NO. : REFERENCE NUMBER OF NEXT PAGE

SSR

SYMBOL NO.	INDEX NO.
SSR 101	106
SSR 102	106

IC

SYMBOL NO.	INDEX NO.
IC 101	116
IC 102	108
IC 102	136

TRANSISTOR

SYMBOL NO.	INDEX NO.
Q 101	107

CONNECTOR

SYMBOL NO.	INDEX NO.
CN 101	102
CN 102	103
CN 103	105
CN 104	104

ZENER DIODE

SYMBOL NO.	INDEX NO.
ZD 101	111

DIODE

SYMBOL NO.	INDEX NO.
D 101	109
D 102	109
D 103	113
D 104	113
D 105	112
D 106	109
D 107	109
D 108	109
D 109	109
D 112	109
D 113	109
D 114	109
D 115	109
D 116	109
D 117	109
D 118	109
D 119	109
D 120	109
D 121	109
D 122	110
D 123	110
D 124	109
D 125	109
D 126	109
D 127	109

RESISTOR

SYMBOL NO.	INDEX NO.
R 101	130
R 102	129
R 103	128
R 103	137
R 104	135
R 105	131
R 106	135
R 106	133
R 107	135
R 108	130
R 109	129
R 110	128
R 110	137
R 111	135
R 112	131
R 113	130
R 113	138
R 114	128
R 115	131
R 116	130
R 116	138
R 117	118
R 118	118
R 119	119
R 120	131
R 121	117
R 122	134
R 123	132
R 125	129
R 126	131
R 127	128
R 128	128

CAPACITOR

SYMBOL NO.	INDEX NO.
C 101	123
C 102	122
C 104	124
C 105	127
C 106	126
C 107	126
C 108	123
C 109	123
C 110	121
C 111	122
C 115	125
C 116	120
C 116	121
C 117	123

PSCR

SYMBOL NO.	INDEX NO.
PSCR	114

SCR

SYMBOL NO.	INDEX NO.
SCR	115
	101

 :Used Only For P/N A4115507

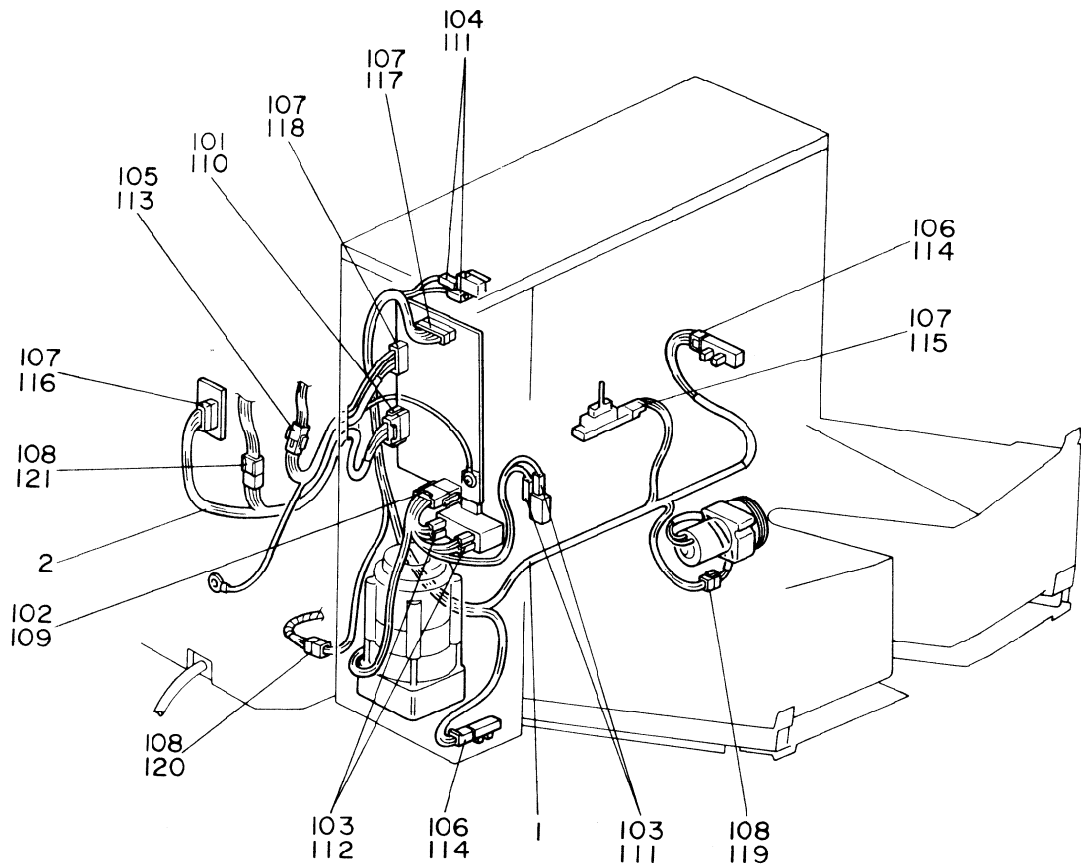
3. SORTER BOARD (A411)

Index No.	Part No.	Description	Q'ty per Assembly
*	A411 5507	Sorter Main Board	1
	A411 5508	x/o,MB16	1
1	A411 5700	Capacitor - 0.68uF ±5% 63V MB16	1
101	1005 0767	Heat Sink	
102	1102 0995	Connector - 2P	
103	1103 0829	Connector - 3P	



Index No.	Part No.	Description	Q'ty per Assembly
104	1103 1737	Connector - 15P	
105	1103 1748	Connector - 12P	
106	1208 1047	Solid State Relay - 240V/3A	
107	1400 0072	Transistor - 2SC372Y	
108	1401 0192	IC - uPA2003C	
109	1401 0611	Diode - IS1588	
110	1401 0832	Diode - DSA1A1	
111	1402 0185	Zener Diode - AW01 - D8	
112	1402 0423	Diode - S5500G	
113	1402 0489	Diode - U15J	
114	1405 0127	Photothyristor - TLP541G	
115	1405 0175	Thyristor - 400V 8A	
116	1407 1850	IC - TD62601P	
117	1600 0370	Resistor - 100 Ω 1T ±5%	
118	1600 1038	Resistor - 1 Ω 5T ±10%	
119	1602 2627	Resistor - 220 Ω 1W	
120	1604 0967	Capacitor - 0.68mF 35V	
121	1604 1247	Capacitor - 3.3u 35V	
122	1604 1283	Capacitor - 4.7uF 25V	
123	1606 0658	Capacitor - 0.1uF 50V	
124	1606 0848	Capacitor - 0.01uF	
125	1606 1336	Capacitor - 10000pF -20% +80% 50V	
126	1606 1352	Capacitor - 0.1uF 50V	
127	1606 1581	Capacitor - 0.47uF 630Vdc	
128	1611 4102	Resistor - 1K Ω 1/4T ±5%	
129	1611 4103	Resistor - 10k Ω 1/4T ±5%	
130	1611 4104	Resistor - 100k Ω 1/4W ±5%	
131	1611 4153	Resistor - 15k Ω 1/4T ±5%	
132	1611 4221	Resistor - 220 Ω 1/4T ±5%	
133	1611 4272	Resistor - 2.7k Ω 1/4T ±5%	
134	1611 4331	Resistor - 330 Ω 1/4T ±5%	
135	1611 4472	Resistor - 4.7k Ω ±5% 1/4W	
136	1407 3524	IC - M54519P	
137	1611 4911	Resistor - 910 Ω 1/4T 5%	
138	1622 9102	Resistor - 91k Ω 1/4W	

4. SORTER HARNESS (A411)



4. SORTER HARNESS (A411)

Index No.	Part No.	Description	Q'ty per Assembly
1	A411 5600	Sorter Harness	1
2	A411 5610	Sorter Interface Harness	1

Index No.	Part No.	Description	Q'ty per Assembly
101	1100 1042	Socket - Mate-N-Lock	
102	1100 1043	Pin - Mate-N-Lock	
103	1100 1168	Fastening Receptacle	
104	1100 1169	Fastening Receptacle	
105	1100 1239	Pin - Mate-N-Lock	
106	1100 1249	Receptacle Terminal	
107	1100 1327	Contact	
108	1100 1328	Contact	
109	1102 0512	Connector - 3P	
110	1102 0983	Connector - 2P	
111	1102 1408	Connector - 1P	
112	1102 1522	Connector - 2P	
113	1102 1524	Connector - 2p (Red)	
114	1102 1620	Connector - 3P	
115	1102 1911	Connector - 3P	
116	1102 1919	Connector - 11P	
117	1102 1923	Connector - 15P	
118	1102 1934	Connector - 12P	
119	1102 1952	Connector - 2P	
120	1102 1964	Connector - 2P	
121	1102 1966	Connector - 4P	

PARTS INDEX

Part No.	Description	Paper and Index No.
A411 1421	Side Stay	5- 11
A411 1421	Side Stay	7- 50
A411 1456	Knob Screw	5- 10
A411 1511	Lower Stay	7- 3
A411 1611	Middle Stay	7- 1
A411 1711	Upper Stay	5- 4
A411 1810	Base Cover	5- 8
A411 2111	Lower Guide Plate - Transport	7- 8
A411 2261	Spacer - 6.1x13x1.5mm	7- 48
A411 2511	Upper Guide Plate - Transport	7- 32
A411 2531	Knob Cap	7- 31
A411 2551	Guide Plate Cover	7- 12
A411 2553	Grounding Wire MB1	7- 55
A411 2555	Grounding Plate - Antistatic Brush MB1	7- 56
A411 2561	Relay Guide (For F30/31Series)	7- 52
A411 2571	Relay Guide (For F90)	7- 52
A411 2611	Upper Exit Roller	7- 29
A411 2621	Plate Spring	7- 26
A411 2651	o/o,MB5	7- 33
A411 2691	Guide Roller - Small	7- 33
A411 2751	Tightener - Transport Drive	7- 11
A411 2811	Paper Stopper	7- 2
A411 2851	Guide - Upper Guide Plate	7- 24
A411 3111	Sorter Bin - Odd	5- 19
A411 3121	Sorter Bin - Even	5- 18
A411 3211	Bottom Bin	5- 15
A411 3511	Front Side Plate - Bin Unit	5- 16
A411 3611	Bear Side Plate - Bin Unit	5- 14
A411 3751	Stay - Bin Unit	5- 17
A411 3761	Guide Pin	5- 13
A411 3771	Bin Guide	5- 12
A411 3811	Grounding Plate - Bin Unit MB1	5- 24
A411 3821	Antistatic Brush MB1	7- 57
A411 3851	Grounding Plate - Antistatic Brush MB1	7- 58
A411 3911	Cushion - Bin	7- 49

Part No.	Description	Paper and Index No.
A411 4100	Front Helical Cam Ass'y	7- 45
A411 4105	Rear Helical Cam Ass'y	7- 20
A411 4251	Helical Cam Bracket	7- 18
A411 4431	Tightener - Bin Drive Belt	7- 38
A411 4436	Idle Pulley - Bin Drive	7- 37
A411 4511	Actuator - One Turn Sensor	7- 35
A411 4611	Lever - Home Position Sensor	7- 47
A411 4911	Harness Bracket	7- 17
A411 4921	o/o,MB12	7- 13
A411 4926	Cover - Rear Helical Cam	7- 13
A411 5400	Bin Motor - AC31W/38W -115V	7- 21
A411 5410	Bin Motor - Ac31W/38W-220V/240V	7- 21
A411 5420	x/o,MB8	7- 40
A411 5421	x/o,MB10	7- 40
A411 5422	Transport Motor - DC 24V	7- 40
A411 5507	Sorter Main Board	7- 15
A411 5507	Sorter Main Board	9- *
A411 5508	x/o,MB16	7- 15
A411 5508	x/o,MB16	9- *
A411 5520	Protection Circuit Board MB13	7- 61
A411 5522	Relay Harness - Protection Board MB13	7- 62
A411 5600	Sorter Harness	7- 14
A411 5600	Sorter Harness	11- 1
A411 5610	Sorter Interface Harness	7- 16
A411 5610	Sorter Interface Harness	11- 2
A411 5620	Grounding Wire - DC Motor MB8	7- 60
A411 5630	Sorter Connector Adapter MB7	7- 59
A411 5700	Capacitor - 0.68uF ±5% 63V MB16	9- 1
A411 6111	Front Cover	5- 9
A411 6211	Rear Cover	5- 5
A411 6311	Upper Cover	5- 1
A411 6351	Rear Hinge - Lower	5- 20
A411 6361	Front Hinge - Lower	5- 3
A411 6371	Hinge - Upper Cover	5- 2
A411 6411	Right Cover	5- 7

Part No.	Description	Paper and Index No.
A411 7117	Decal - Misfeed Removal	5- 21
A411 7131	Decals - Misfeed Removal - 5 Language	5- *
A411 8612	Installation Procedure - English	5- *
A411 8616	Installation Procedure - 5 Language	5- *

Part No.	Description	Paper and Index No.
AA02 1004	Magnet - Upper Guide Plate	7- 19
AA04 1004	Transport Drive Belt	7- 44
AA06 0030	Tension Spring	7- 39
AA12 1001	Antistatic Brush	7- 28
AA14 3020	Stepped Screw - M4	7- 46
AA14 3025	Stepped Screw - M3	7- 42
AA14 8017	Stud - 28mm	5- 6
AA16 1010	Rubber Cushion - 4.5x9.5x4.2 mm	7- 41
AB03 0009	Pulley - 18T	7- 6
AB03 0010	Pulley - 18T	7- 22
AB03 0011	Pulley - 18T	7- 36
AB03 2006	x/o,MB10	7- 43
AB03 2011	x/o,MB10	7- 7
AB03 2020	Idle Pulley - 6x22x11	7- 7
AB03 2021	Idle Pulley - 6x34x11	7- 43
AF02 0016	Lower Exit Roller	7- 9
AF02 0017	Lower Transport Roller	7- 10
5053 0447	Bushing - M6	7- 5
5205 5250	LED Sensor Type S	7- 34
5866 1728	Collar - 6.1mm	5- 22
5895 5732	Insulating Mylar	7- 27
5918 3125	Stud - M4 MB6	7- 53
5919 2218	Bushing - 4x7x10mm	7- 30
6769 1127	Lower Mounting Stud	5- 23
6769 1128	Mounting Stay Magnet MB9	5- 25
6803 5430	Paper Exit Sensor	7- 4

Part No.	Description	Paper and Index No.
0313 0060W	Philips Pan Head Screw - M3x6	7-106
0313 0120W	Philips Pan Head Screw - M3x12	7-101
0313 0140W	Philips Pan Head Screw - M3x14	7-107
0314 0060W	Philips Pan Head Screw - M4x6	5-101
0314 0080M	Philips Pan Head Screw - M4x8	7-102
0314 0080W	Philips Pan Head Screw - M4x8	5-103
0314 0100W	Philips Pan Head Screw - M4x10	7-103
0315 0100W	Philips Pan Head Screw - M5x10	7-108
0324 0080F	Sunken Head Screw - M4x8	5-106
0344 0080F	Philips Truss Head Screw - M4x8	5-104
0344 0080W	Philips Truss Head Screw - M4x8	5-105
0434 0080W	Tapping Screw - M4x8	5-102
0434 0080W	Tapping Screw - M4x8	7-104
0434 0100W	Tapping Screw - M4x10	7-109
0443 0060W	Hexagon Head Tapping Screw - M3x6	7-110
0443 0080W	Hexagon Head Tapping Screw - M3x8	7-111
0703 0040B	Philips Washer - M4	7-123
0720 0030E	Retaining Ring - M3	7-117
0720 0040E	Retaining Ring - M4	7-118
0720 0060E	Retaining Ring - M6	7-120
0727 0080E	Retaining Ring - M8	7-124
0741 3006	Ball Bearing - 6x17x6mm	7-112
0806 5016	Timing Belt - 112MXL	7-23
0806 5017	Timing Belt - 1270P5M	7-51
0951 3006W	Philips Screw with Flat Washer - M3x6	7-105
0951 3008W	Philips Screw with Flat Washer - M3x8	7-114
0964 4008W	Tapping Screw with Flat Washer - M4x8	5-107
0964 4008W	Tapping Screw with Flat Washer - M4x8	7-119
1005 0767	Heat Sink	7-122
1005 0767	Heat Sink	9-101
1100 1042	Socket - Mate-N-Lock	11-101
1100 1043	Pin - Mate-N-Lock	11-102
1100 1168	Fastening Receptacle	11-103
1100 1169	Fastening Receptacle	11-104
1100 1239	Pin - Mate-N-Lock	11-105

Part No.	Description	Paper and Index No.
1100 1249	Receptacle Terminal	11-106
1100 1327	Contact	11-107
1100 1328	Contact	11-108
1102 0512	Connector - 3P	11-109
1102 0983	Connector - 2P	11-110
1102 0995	Connector - 2P	9-102
1102 1408	Connector - 1P	11-111
1102 1522	Connector - 2P	11-112
1102 1524	Connector - 2p (Red)	11-113
1102 1620	Connector - 3P	11-114
1102 1911	Connector - 3P	11-115
1102 1919	Connector - 11P	11-116
1102 1923	Connector - 15P	11-117
1102 1934	Connector - 12P	11-118
1102 1952	Connector - 2P	11-119
1102 1964	Connector - 2P	11-120
1102 1966	Connector - 4P	11-121
1103 0829	Connector - 3P	9-103
1103 1737	Connector - 15P	9-104
1103 1748	Connector - 12P	9-105
1105 0111	Cable CliP	7-121
1105 0134	Locking Support	7-125
1105 0161	Locking Support MB13	7-127
1105 0200	Clamp	7-113
1107 0383	Fuse - 0.5A MB13	7-126
1204 1433	Microswitch	7-115
1204 1475	Microswitch	7-116
1208 1047	Solid State Relay - 240V/3A	9-106
1400 0072	Transistor - 2SC372Y	9-107
1401 0192	IC - uPA2003C	9-108
1401 0611	Diode - IS1588	9-109
1401 0832	Diode - DSA1A1	9-110
1402 0185	Zener Diode - AW01 - D8	9-111
1402 0423	Diode - S5500G	9-112
1402 0489	Diode - U15J	9-113

Part No.	Description	Paper and Index No.
1405 0127	Photothyristor - TLP541G	9-114
1405 0175	Thyristor - 400V 8A	9-115
1407 1850	IC - TD62601P	9-116
1407 3524	IC - M54519P	9-136
1600 0370	Resistor - 100 Ω 1T \pm 5%	9-117
1600 1038	Resistor - 1 Ω 5T \pm 10%	9-118
1602 2627	Resistor - 220 Ω 1W	9-119
1604 0967	Capacitor - 0.68mF 35V	9-120
1604 1247	Capacitor - 3.3u 35V	9-121
1604 1283	Capacitor - 4.7uF 25V	9-122
1606 0658	Capacitor - 0.1uF 50V	9-123
1606 0848	Capacitor - 0.01uF	9-124
1606 1252	Capacitor - 15uF 250V - 115V MB15	7-128
1606 1336	Capacitor - 10000pF -20% +80% 50V	9-125
1606 1352	Capacitor - 0.1uF 50V	9-126
1606 1385	Capacitor - 15uF 250V - 220/240V MB15	7-128
1606 1581	Capacitor - 0.47uF 630Vdc	9-127
1611 4102	Resistor - 1K Ω 1/4T \pm 5%	9-128
1611 4103	Resistor - 10k Ω 1/4T \pm 5%	9-129
1611 4104	Resistor - 100k Ω 1/4W \pm 5%	9-130
1611 4153	Resistor - 15k Ω 1/4T \pm 5%	9-131
1611 4221	Resistor - 220 Ω 1/4T \pm 5%	9-132
1611 4272	Resistor - 2.7k Ω 1/4T \pm 5%	9-133
1611 4331	Resistor - 330 Ω 1/4T \pm 5%	9-134
1611 4472	Resistor - 4.7k Ω \pm 5% 1/4W	9-135
1611 4911	Resistor - 910 Ω 1/4T 5%	9-137
1622 9102	Resistor - 91k Ω 1/4W	9-138

Part No.	Description	Paper and Index No.